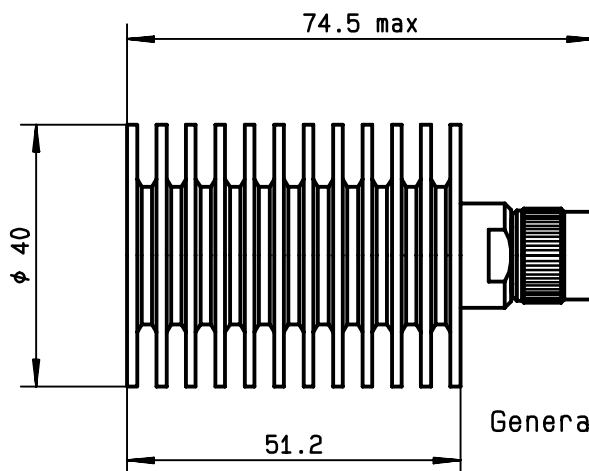


TITLE: 30 W 4GHZ TNC/m COAXIAL TERMINATION

LTR. A

DRAWING



General tolerances: +/- 0.5 mm

ELECTRICAL CHARACTERISTICS

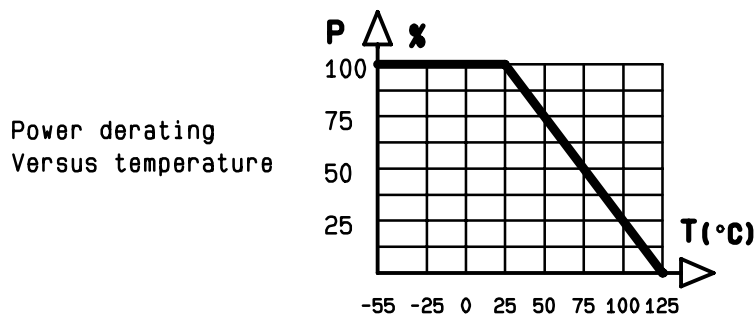
FREQUENCY RANGE	:	DC - 4GHz
IMPEDANCE	:	50 Ohms
DC RESISTANCE	:	50 Ohms ± 5 %
AVERAGE POWER HANDLING	:	30 W at 25°C
PEAK POWER HANDLING	:	5 kW (1 μs, 1%.) at 25°C
V.S.W.R :	DC - 2 GHz	: <= 1.10
	2 - 4 GHz	: <= 1.20

MECHANICAL CHARACTERISTICS

CONNECTOR	:	TNC male per MIL C 39012
MAXIMUM WEIGHT	:	125 grams

ENVIRONMENTAL CHARACTERISTICS

OPERATING TEMPERATURE RANGE (°C)	:	-55 , +125
STORAGE TEMPERATURE RANGE (°C)	:	-55 , +125



Tentative data subject to change without notice

PEN CAT	QUALITY Dpt App.					
PAGE 1 / 1	DATE 02.11.92	NAME PG	LTR	REVISIONS	DATE	APP.